

RIPS EB

Ground Recessed Light

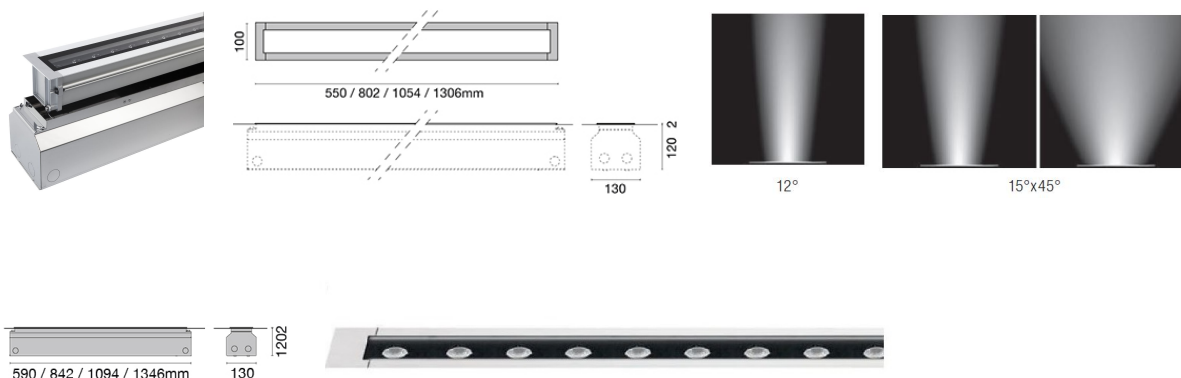
Product Data Sheet

Project:

Pos.:



- Extruded anodised aluminium housing
- Tempered glass diffuser, printed
- End caps in painted die-cast aluminium
- Walkable and passable
- Impact resistance: IK10
- Through wiring possible
- CRI>80
- Integrated driver
- Colour temperature: cool white 4000K
- Colour: grey anodized
- Observe installation instructions !
- Country of Origin: EU



Recessed fixing kit

This product is available in the following versions:

Order no.	Illuminant	Description
50-303568	LED 13,4W 230V Luminous Colour: 4000K, 1226 Nlm CRI: Ra>80,	grey anodized, cover safety glass, beam angle: 12°, dimensions: 550 x 100mm, H= 120mm IP67, warranty: 5 years, incl. driver
50-303570	LED 13,4W 230V Luminous Colour: 4000K, 1043 Nlm CRI: Ra>80,	grey anodized, cover safety glass, beam angle: 15° x 45°, dimensions: 550 x 100mm, H= 120mm IP67, warranty: 5 years, incl. driver
50-303572	LED 20,5W 230V Luminous Colour: 4000K, 1828 Nlm CRI: Ra>80,	grey anodized, cover safety glass, beam angle: 12°, dimensions: 802 x 100mm, H= 120mm IP67, warranty: 5 years, incl. driver
50-303574	LED 20,5W 230V Luminous Colour: 4000K, 1603 Nlm CRI: Ra>80,	grey anodized, cover safety glass, beam angle: 15° x 45°, dimensions: 802 x 100mm, H= 120mm IP67, warranty: 5 years, incl. driver

50-303576	LED 27W 230V Luminous Colour: 4000K, 2356 Nlm CRI: Ra>80,	grey anodized, cover safety glass, beam angle: 12°, dimensions: 1054 x 100mm, H= 120mm IP67, warranty: 5 years, incl. driver
50-303578	LED 27W 230V Luminous Colour: 4000K, 2108 Nlm CRI: Ra>80,	grey anodized, cover safety glass, beam angle: 15° x 45°, dimensions: 1054 x 100mm, H= 120mm IP67, warranty: 5 years, incl. driver
50-303580	LED 33W 230V Luminous Colour: 4000K, 2994 Nlm CRI: Ra>80,	grey anodized, cover safety glass, beam angle: 12°, dimensions: 1306 x 100mm, H= 120mm IP67, warranty: 5 years, incl. driver
50-303582	LED 33W 230V Luminous Colour: 4000K, 2633 Nlm CRI: Ra>80,	grey anodized, cover safety glass, beam angle: 15° x 45°, dimensions: 1306 x 100mm, H= 120mm IP67, warranty: 5 years, incl. driver
50-310422		Recessed fixing kit stainless steel dimensions: 590 x 130mm, ET= 120mm
50-310423		Recessed fixing kit stainless steel dimensions: 842 x 130mm, ET= 120mm
50-310424		Recessed fixing kit stainless steel dimensions: 1094 x 130mm, ET= 120mm
50-310425		Recessed fixing kit stainless steel dimensions: 1346 x 130mm, ET= 120mm

Bei allen Bodeneinbaustrahlern sind die Montagevorschriften unbedingt einzuhalten!

Die 5 wichtigsten Grundregeln lauten:

1. Strahler nicht in Vertiefungen einbauen.
2. Unter der Einbaudose ist eine Drainage zu errichten.
3. Es dürfen nur Kabel der Type H07RN-F verwendet werden.
4. Strahler nicht bei hoher Luftfeuchtigkeit montieren.
5. Vor dem Anbringen des Schutzglases soll die Lampe ca. 30 Minuten brennen.
(Dadurch entsteht im Gehäuse ein Unterdruck).



Errors excepted - measurements may change.